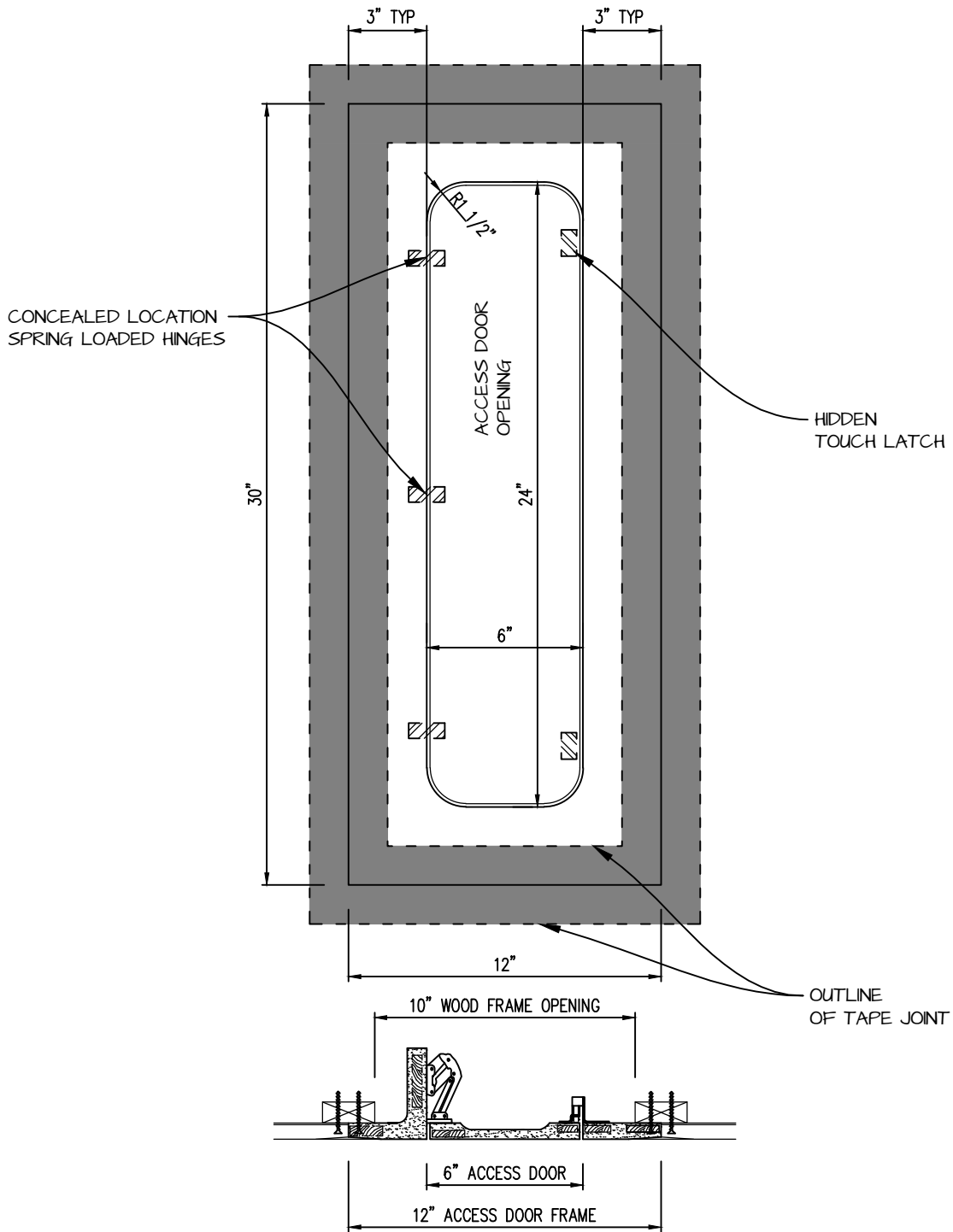



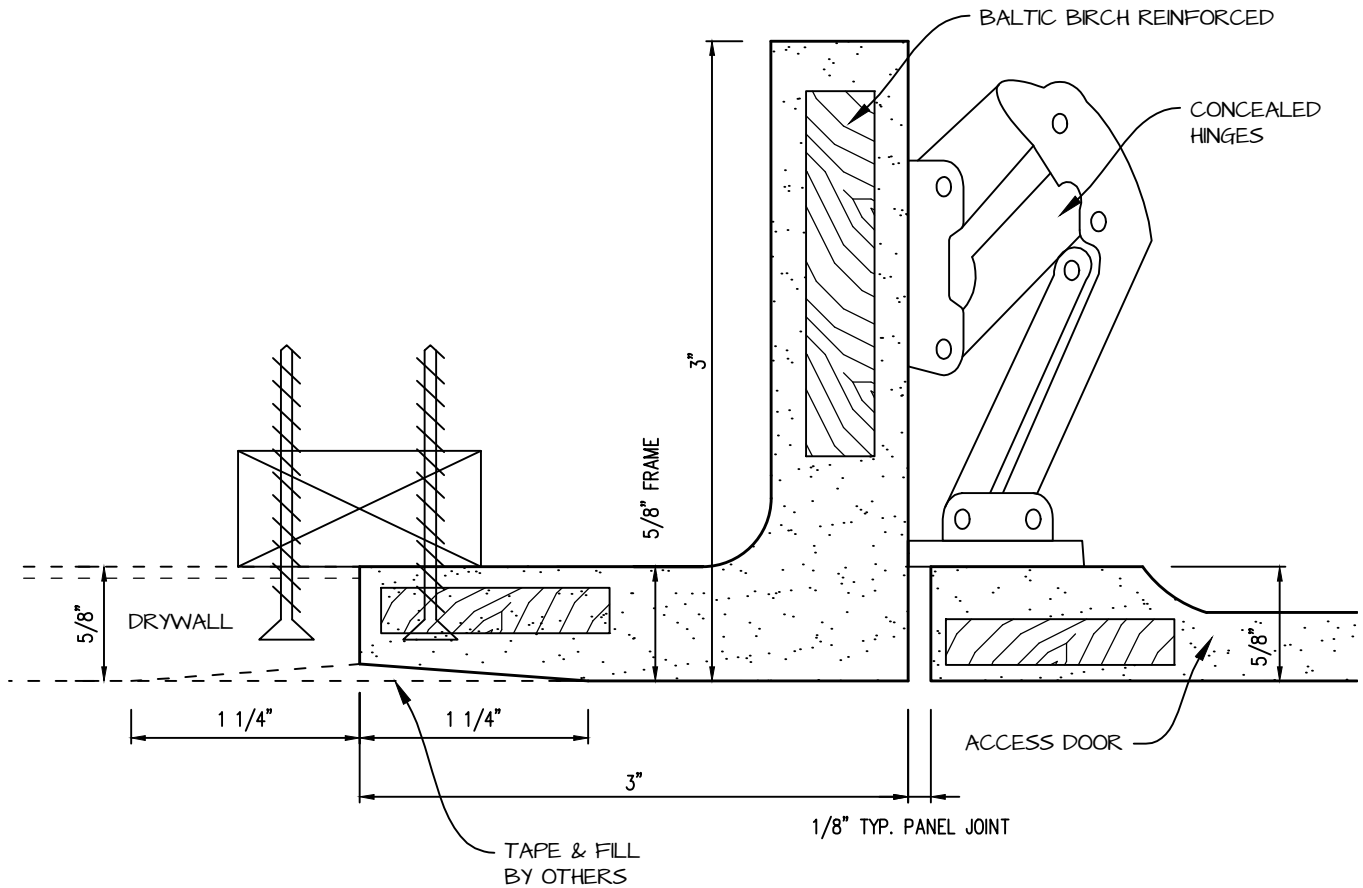
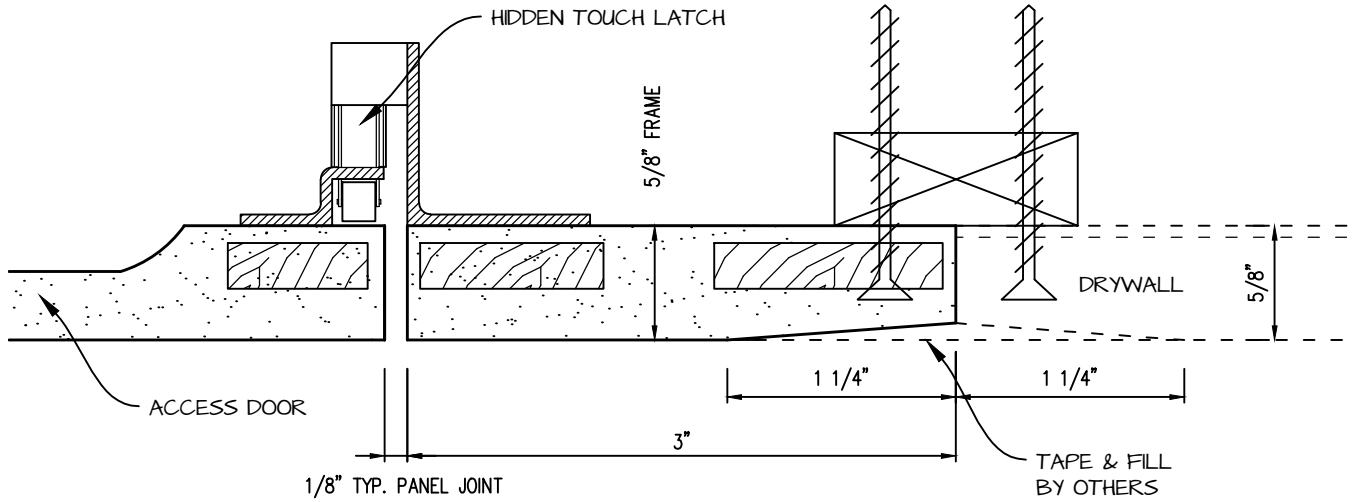
HINGED RADIUS CORNER ACCESS PANEL 6"x24"


GFRG-HG-RC-580624 (TL)



 <p>CASTLE Access Panels & Forms Inc.</p>	<p>CASTLE ACCESS PANELS & FORMS INC. 173 Adesso Drive, Unit 2, Concord ON L4K 3C3 Phone (905)738-8089 Fax (905)760-9234 inquiries@castleaccesspanels.com www.CastleAccessPanels.com</p>	<p>DESIGNED: Q.P DATE:</p>
	<p>APPROVED: J.R</p>	
<p>CUSTOMER:</p>	<p>PROJECT:</p>	<p>QTY:</p>
<p>TITLE:</p>	<p>DWG NO:</p>	<p>SHEET OF</p>

HINGED GFRG ACCESS PANEL SECTION



 <p>CASTLE Access Panels & Forms Inc.</p>	<p>CASTLE ACCESS PANELS & FORMS INC. 173 Adesso Drive, Unit 2, Concord ON L4K 3C3 Phone (905)738-8089 Fax (905)760-9234 inquiries@castleaccesspanels.com www.CastleAccessPanels.com</p>	DESIGNED: Q.P. DATE:
		APPROVED: J.R.
CUSTOMER:	PROJECT:	QTY:
TITLE:	DWG NO:	SHEET OF