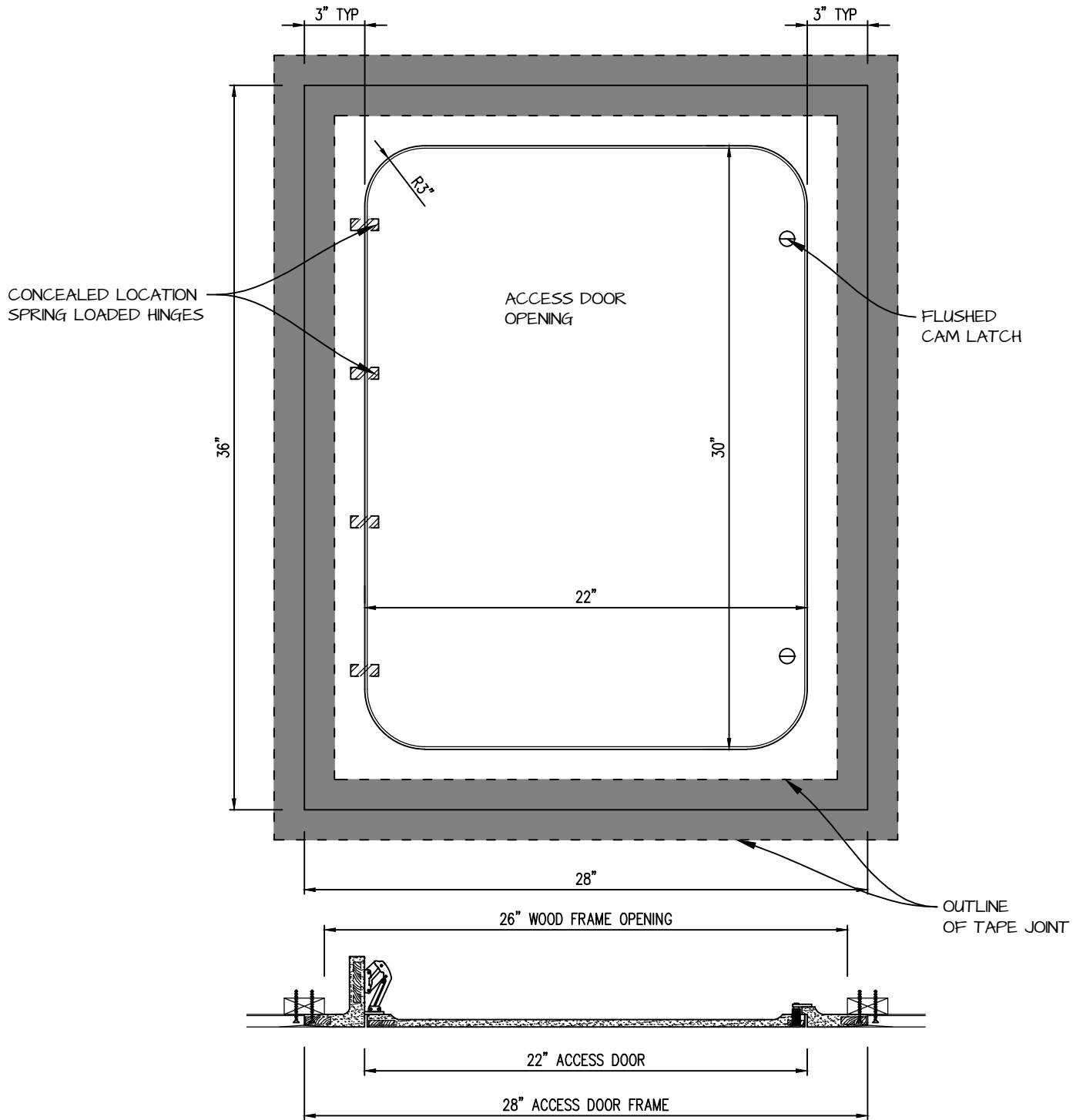


# HINGED RADIUS CORNER ACCESS PANEL 22"x30"

## GFRG-HG-RC-582230



**CASTLE ACCESS PANELS & FORMS INC.**

173 Adesso Drive, Unit 2, Concord ON L4K 3C3

Phone (905)738-8089 Fax (905)760-9234

inquiries@castleaccesspanels.com

[www.CastleAccessPanels.com](http://www.CastleAccessPanels.com)

DESIGNED: Q.P

DATE:

APPROVED: J.R

CUSTOMER:

PROJECT:

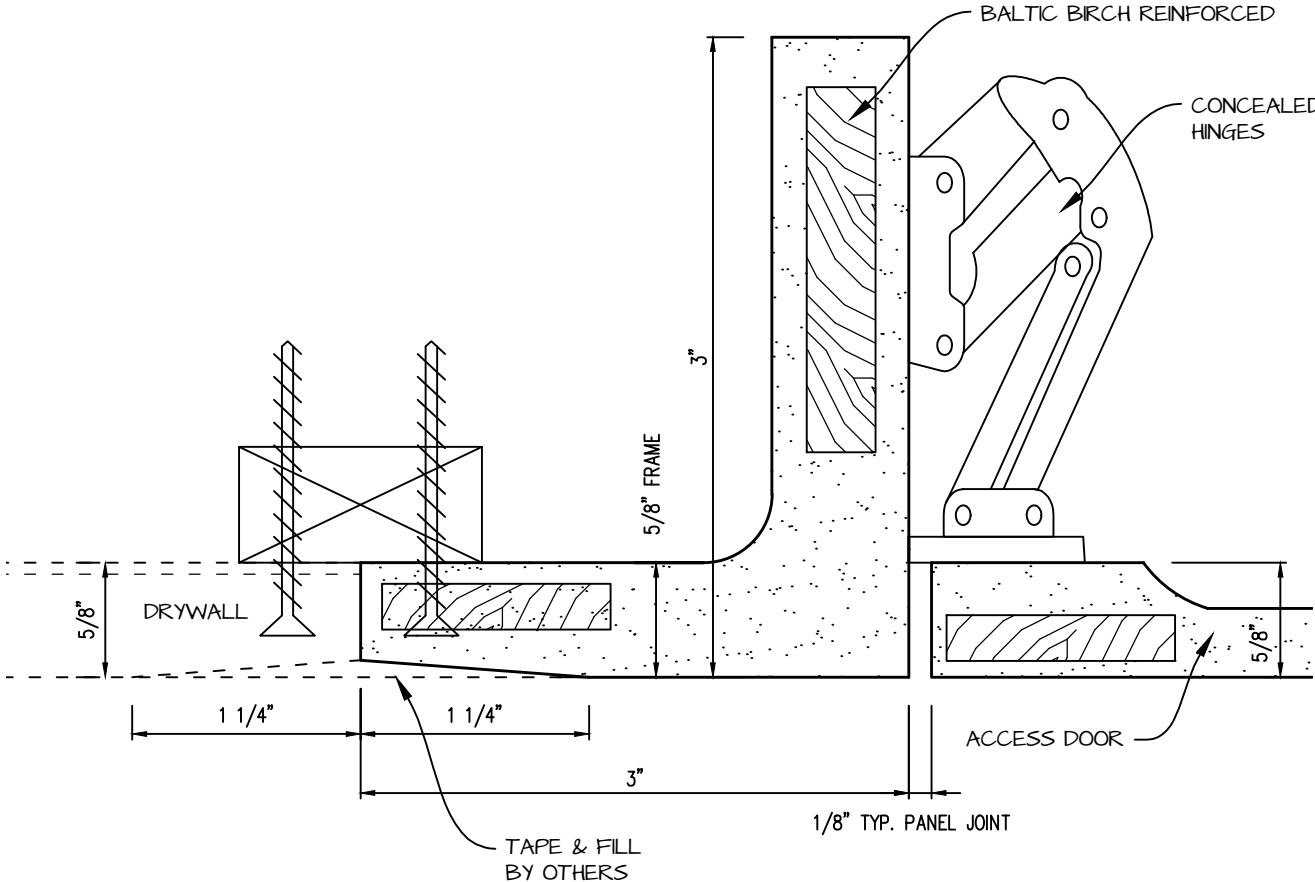
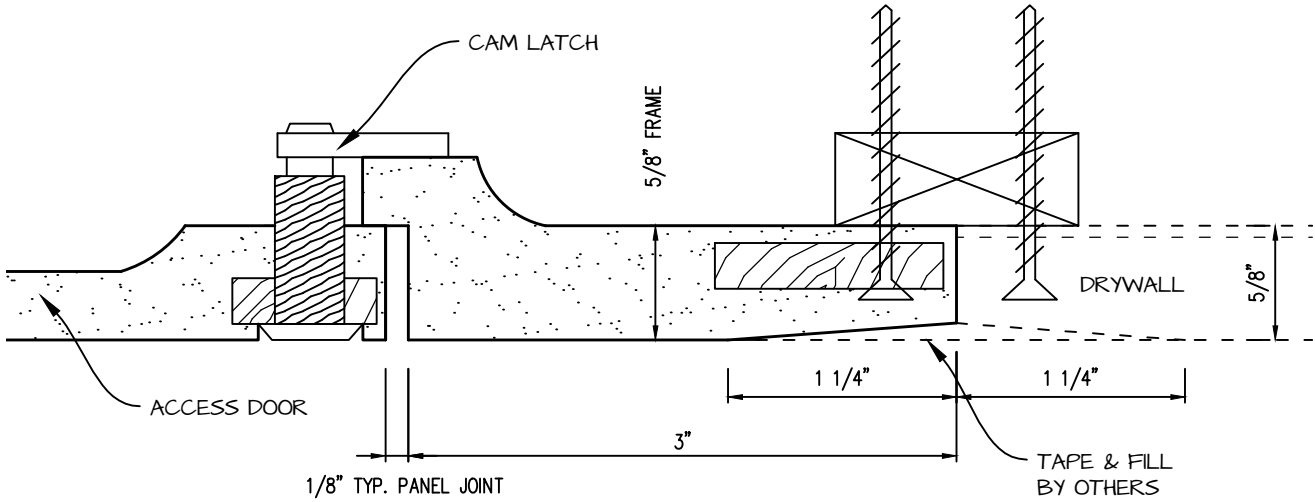
QTY:


TITLE:

DWG NO:

SHEET OF

# HINGED GFRG ACCESS PANEL SECTION



|   |  |                         |
|---|--|-------------------------|
|  <p><b>CASTLE</b><br/>Access Panels &amp; Forms Inc.</p> | <p><b>CASTLE ACCESS PANELS &amp; FORMS INC.</b><br/>                 173 Adesso Drive, Unit 2, Concord ON L4K 3C3<br/>                 Phone (905)738-8089 Fax (905)760-9234<br/>                 inquiries@castleaccesspanels.com<br/>                 www.CastleAccessPanels.com</p> | DESIGNED: Q.P.<br>DATE: |
|   | APPROVED: J.R.   |                         |
| CUSTOMER:   | PROJECT:   | QTY:                    |
| TITLE:  | DWG NO:  | SHEET OF                |