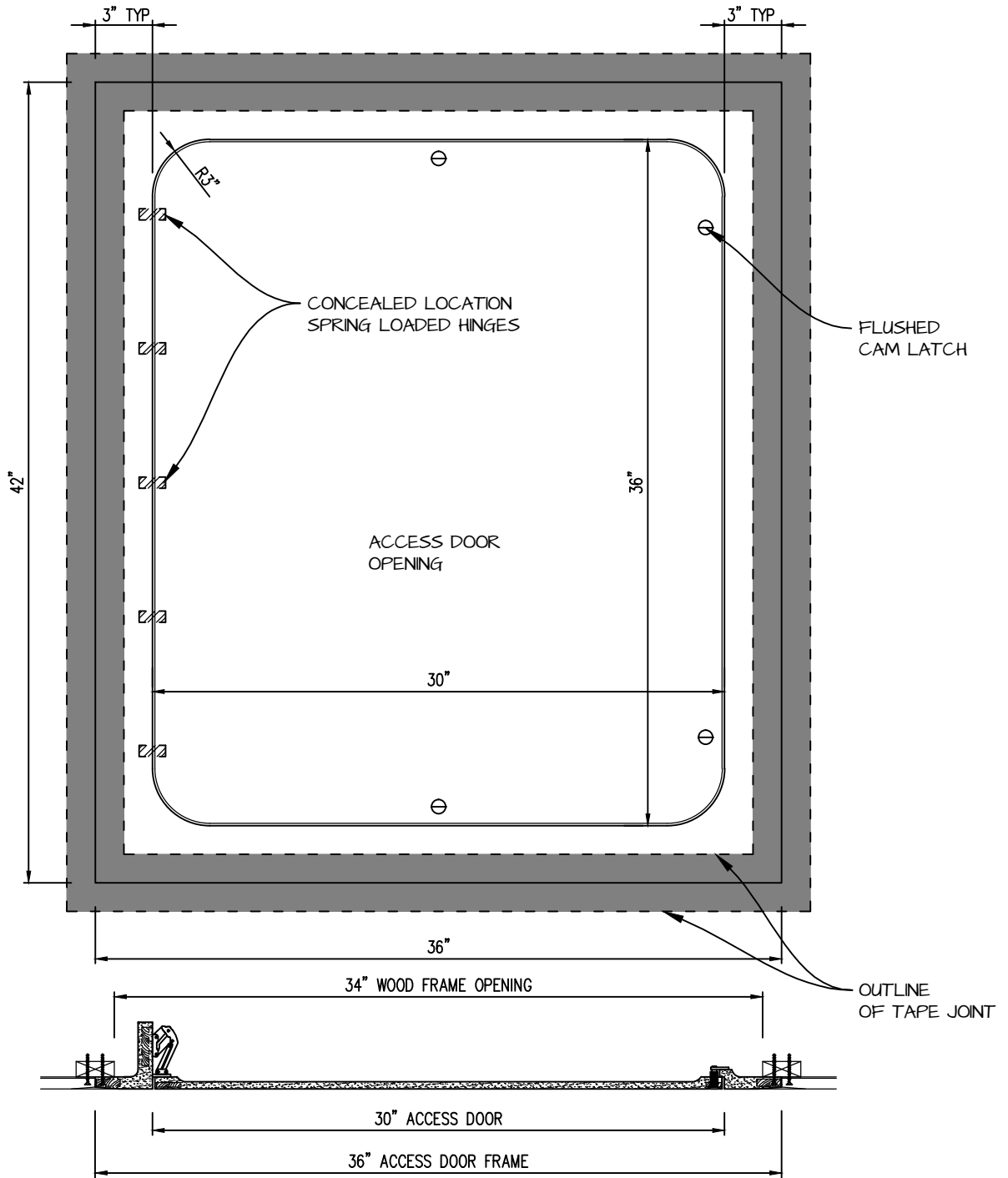



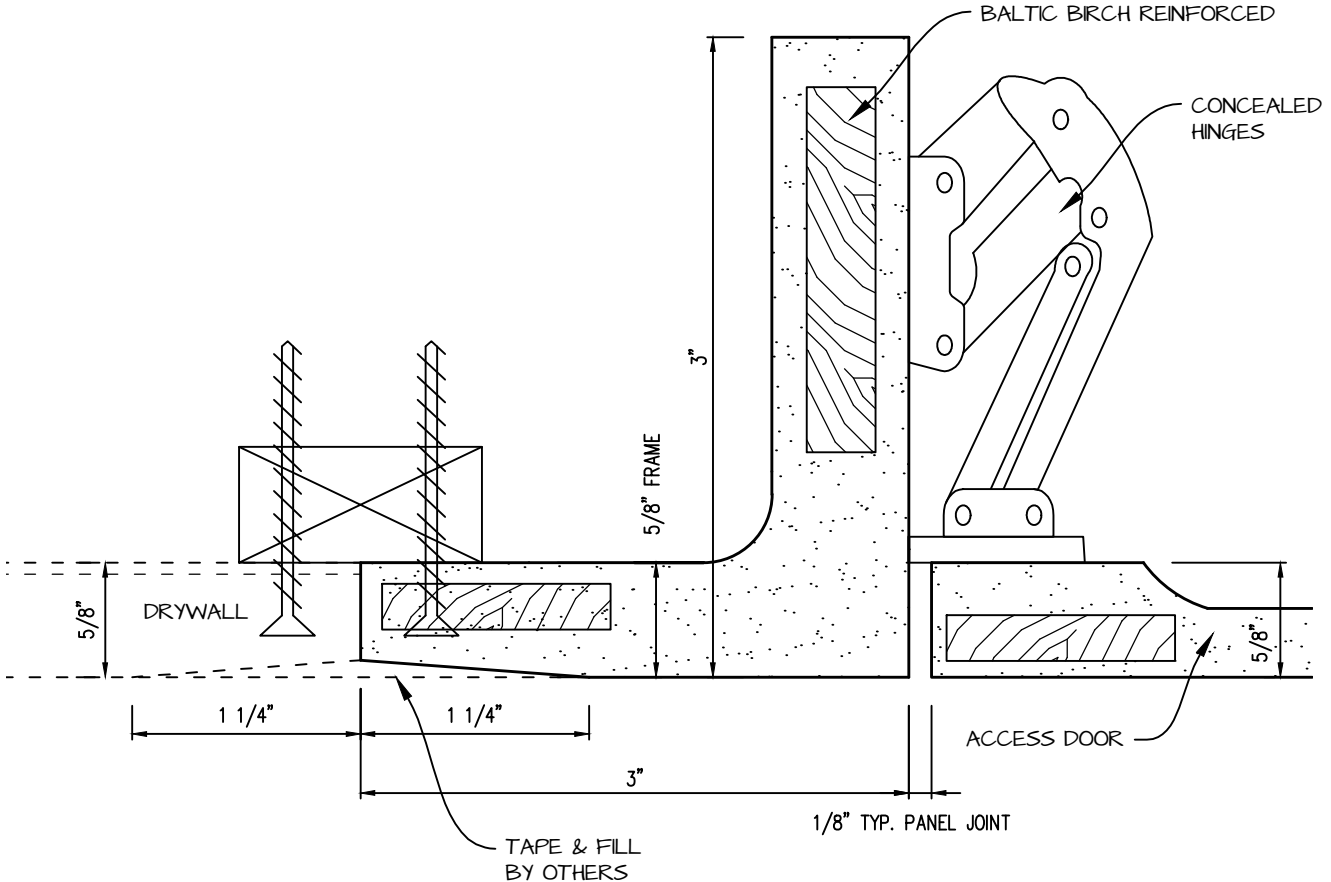
# HINGED RADIUS CORNER ACCESS PANEL 30"x36"


## GFRG-HG-RC-583036



 <b>CASTLE</b> <small>Access Panels &amp; Forms Inc.</small>	<b>CASTLE ACCESS PANELS &amp; FORMS INC.</b> 173 Adesso Drive, Unit 2, Concord ON L4K 3C3 Phone (905)738-8089 Fax (905)760-9234 inquiries@castleaccesspanels.com <b>www.CastleAccessPanels.com</b>		DESIGNED: Q.P
			DATE:
		APPROVED: J.R	
CUSTOMER:	PROJECT:	QTY:	
TITLE:	DWG NO:	SHEET OF	

# HINGED GFRG ACCESS PANEL SECTION



 <p><b>CASTLE</b> Access Panels &amp; Forms Inc.</p>	<p><b>CASTLE ACCESS PANELS &amp; FORMS INC.</b>                  173 Adesso Drive, Unit 2, Concord ON L4K 3C3                  Phone (905)738-8089      Fax (905)760-9234                  inquiries@castleaccesspanels.com  <a href="http://www.CastleAccessPanels.com">www.CastleAccessPanels.com</a></p>	DESIGNED: Q.P. DATE:
		APPROVED: J.R.
CUSTOMER:	PROJECT:	QTY:
TITLE:	DWG NO:	SHEET OF